

# VERTICAL SHAFT IMPACTOR

MTV SERIES



INDIA'S FINEST MANUFACTURERS **SINCE 1987**

Mechtech Engineers was incorporated by a group of qualified and well trained engineers with a vast experience in the field of design, manufacturing, supply and commissioning of different types of crushing & screening equipments and plants. The Company was established way back in 1987 with a view to manufacture and supply various Crushing equipments to cater to the core sector of crushing of Coal, Iron Ore, Lime Stone, Stone Aggregates for Construction of Roads and Buildings, etc.

In the last three decades, we have designed, developed and supplied an enviable number of crushing equipments throughout the country and abroad to handle a variety of minerals. Today we can boast of a comprehensive range of products comprising of Single & Double Toggle Jaw Crushers, Hammer Mills, Smooth and Toothed Roll Crushers, Horizontal and Vertical Shaft Impactors, Cone Crushers, Reciprocating & Vibrating Feeders, Grizzly Feeders, Vibrating Screens, Sand Washers etc.



# WHERE ENGINEERING SURPASSES TRADES



QUALITY



SERVICE



EXPERIENCE

# WORKING PRINCIPLE

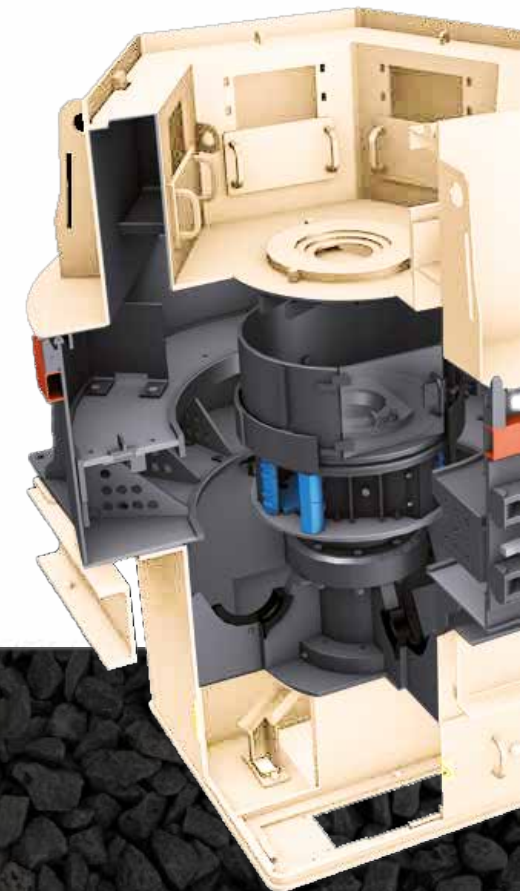
MechTech Vertical Shaft Impactors(VSI) are engineered for higher capacity, low maintenance costs with least power consumption. There is a huge demand for crushers that deliver perfect output while cutting cost in a sustainable way. Our VSI was engineered to meet such demand effortlessly.

Mechtech VSI crushers include a high speed rotating rotor and a crushing chamber lined with the same material, which gives a rock on rock crushing action.

The material entering into multi flow gates falls into the crushing chamber through channels and is hit from the opposite direction by material from the rotor. In the quarrying, mineral mining and aggregate sectors, MechTech Vertical Shaft Impact crushers are used for production of high quality manufactured sand and premium shaped aggregate.

Fewer parts in the upper part of the rotor and a smart bearing design reduces out-of-balance forces and power consumption, achieving a lower cost per ton and greater uptime. No other VSI crusher offers such a high output level at such a low cost.

There is a safety interlock that prevents injury to personnel, and a better machine balance puts less demand on surrounding structures. Fewer and lighter wear parts, reduced vibration and noise levels increase the bearing life and decrease the wear and maintenance which in turn contributes to greater sustainability.





## ENERGY EFFICIENCY

Perfect feed material flow is controlled by the Multi-flow hopper with Multi-flow ports and Multi-flow Collection plates.



## AUTOGENOUS CRUSHER

Rock-on-rock collision means rock is crushed on rock and the materials are directly crushed thereby eliminating any wear parts.



## THREE-PORT ROTOR DESIGN

The most efficient and balanced solution is obtained by the three-port rotor design. The absence of the feed eye ring leads to less weight on the highest point of the rotor, thus reducing out of balance forces. The diameter and the height of the rotor provide efficient and low power consumption crushing.



## LOW IMBALANCE FORCES

Out of balance forces are reduced by the optimized design and placement of upper and lower wear plates. It prevents unwanted streaming and provides a more stable rock bed and quick replacement through the inspection door. Absence of screws or nuts in aggressive areas leads to easy dismantling of wear parts.

# APPLICATIONS



# SPECIFICATIONS

MODEL	MAX. POWER (KW)	ROTOR RPM	THROUGH PUT CAPACITY (TPH)	OUTPUT CAPACITY (TPH) BELOW 5MM	MAX FEED SIZE (MM)
MTV -15	55	1300 - 1200	10 - 50 TPH	5 - 25	40
MTV -16	75 - 100	1300 - 1200	50 - 120 TPH	25 - 50	50
MTV -17	120 - 185	1300 - 1200	120 - 190 TPH	50 - 70	50
MTV -18	185 - 250	1100 - 1800	190 - 250 TPH	75 - 100	50
MTV -28	185 x 2 no	1100 - 1800	250 - 445 TPH	100 - 175	50
MTV -29	250 x 2 no	1100 - 1800	445 - 600 TPH	175 - 250	50



# ADVANTAGES

Mechtech's VSI can be used for crushing even the hardest and toughest of minerals and is the most ideal for sand manufacturing. It produces desired finer output of high quality as the amount of fines present is minimal. Our VSI's are engineered at higher capacity, low maintenance costs and least power consumption.



High-speed efficiency



Simple to install & maintain



Increased uptime



Excellent safety precautions  
for rotor service



## WHY MECHTECH VSI ?

Mechtech's unique rotor design and rock-on-rock crushing ensures a more consistent product with minimum equipment wear. This clever yet simple design with fewer parts gives higher tonnage and greater reliability while using less power than any other VSI crusher.

The machine's perfect shape is ensured by the unique rotor and multi-flow design along with rock-on-rock crushing to meet even the toughest of requirements for uniform product. The gradation and output can be adjusted to meet the most demanding aggregate specifications.

Autogenous crusher leads to low consumption of wear parts compared to open rotor and anvils where material is crushed against the crusher chamber.

The absence of tip carrier wear plates in the three port rotor design enables less streaming around the top and bottom rotor edges, thereby resulting in reduced force on the tip carrier, reduced operating cost and reduced metal contamination.






# INSTALLATIONS


We at Mechtech are bringing our designs and engineering to life, and to the plants for high quality outputs that surpasses the expectations.




**MECHTECH**  
**ENGINEERS**  
Since 1987 Where **ENGINEERING** Surpasses Trades

An **ISO 9001:2015** Company  
MECHTECH ENGINEERS  
India

 858/2/B, G.I.D.C, Makarpura, Makarpura,  
Vadodara - 390010, Gujarat, India.

 +919925046652, +91 9925234665

 [info@mechtechengg.com](mailto:info@mechtechengg.com) | [sales@mechtechengg.com](mailto:sales@mechtechengg.com)

 [www.mechtechengineers.com](http://www.mechtechengineers.com)

Product features and specifications are subject to change without prior notice or obligation. Due to Continuous product development, we reserve the right to change the specifications without notice. Photographs and drawings are provided for illustrative purposes only and may vary from the standard product. Mechtech's Liability shall be limited to the equipment.

Scan to visit  
website

